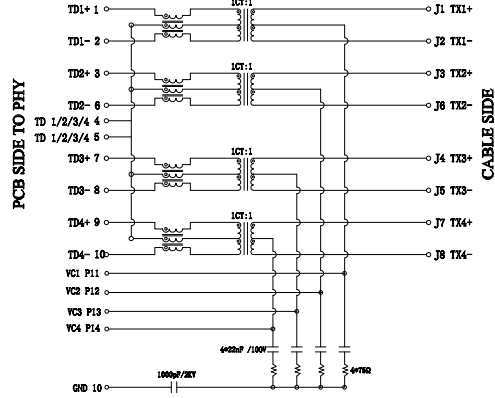
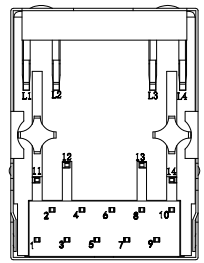
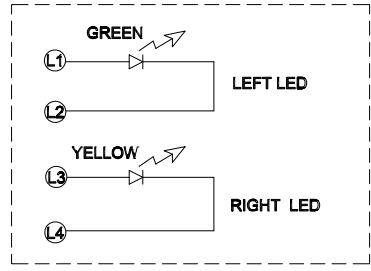


PCB LAYOUT MOUNTING PATTERN



SCHMATIC

SPECIFICATIONS

Material:

- 1.Housing : PA66,Black
- 2.Terminal Bracket : PA66,Black
- 3.Contact : Phosphor Bronze , Gold Plating over Nickel
- 4.Shield : Brass , Nickel Plated

Environmental:

- 1.Operation Temperature : -40°C ~ +85°C

Specification LED

Standard led color	Led wavelength	Foward(V MAX)	Typical(V TYP)	Luminous Intensity
Green	560-580nm	2.5V	2.1-2.2V	9-25 MCD
Yellow	580-610nm	2.5V	2.1-2.2V	9-30 MCD

ELECTRICAL SPECIFICATIONS AT 25°C

INSERTION LOSS db max.	Return Loss dB min			Crosstalk(cdb TYP)			Common Mode Rejection (dB TYP)		HiPot(Vrms)
	1-100MHz	1-30MHz	30-80MHz	1-30MHz	30-80MHz	80-150MHz	1-50MHz	50-150MHz	
-1.0	-16	-14	-10	-40	-35	-30	-35	-35	1500

**CONTACT** 建倚科技股份有限公司  
CONTACT TECHNOLOGY CORP.

TOLERANCE UNLESS OTHERWISE STATED :  
Up to 5 ±0.2  
Above 5 ~ 15 ±0.3  
Above 15 ~ 30 ±0.4  
Above 30 ~ 50 ±0.5  
Angle ±0.3°

3RD. ANGEL'S



UNITS

MM

DRAWN BY: Jack Lu  
CHECKED BY: Jacky Chen  
APPROVED BY: Tony Kao

DATE: 11/10/21  
DATE: 11/10/21  
DATE: 11/10/21

MAT'L	TITLE	RJ45
FINISH	MODLE	RJ45+TRANSFORMER 100/1000 BASE WITH LED
SCALE	DWG NO.	MJ45-111QC4A-GY-S307
SHEET NO.	PART NO.	MJ45-111QC4A-GY-S307

ITEM NO.	DESCRIPTION	DRAWN	DATE
3	更新材質	Jack	111021
2	新增PCB LAYOUT尺寸	Jack	082621
1	更新SCHEATIC	Jack	081721

SIZE: A4  
VER: R3